

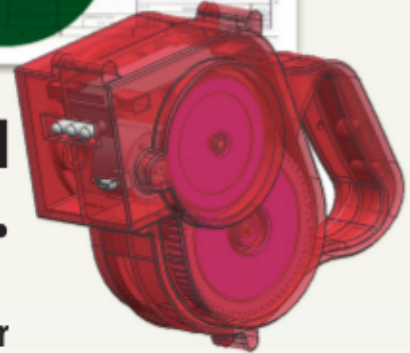


EPROCONN

Inc.

QUALITY

**is fundamental
to everything we do.**



Eproconn Inc. offers a comprehensive suite of services to match all of your engineering needs. Our multi-discipline team provides professional engineering services to various industrial sectors.

Some of the services offered are:

- Feasibility studies
- Parts cost analysis
- Design proposal evaluation
- CAD services
- 3D Surfacing (complemented with the 3D digitizing and scanning technologies)
- Product Design and development.
- Reverse engineering
- Detailing for prototyping and manufacturing
- FEA (Finite Element Analysis) at any stage of your product development
- Prototyping (various techniques)
- Low and high volume production tooling
- Production runs

Our services are competitively priced and fully scalable helping you to obtain the top level results in the shortest period of time.

Our strict adherence to DFM/DFA techniques can help you avoid costly production mistakes.

Mission statement:

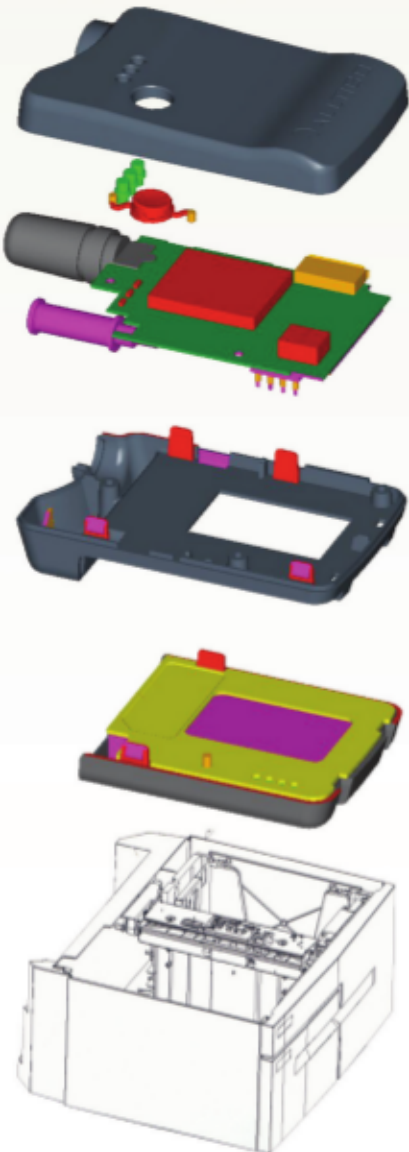
To offer leading edge engineering and design services that bring our customers to the forefront of innovation and productivity.

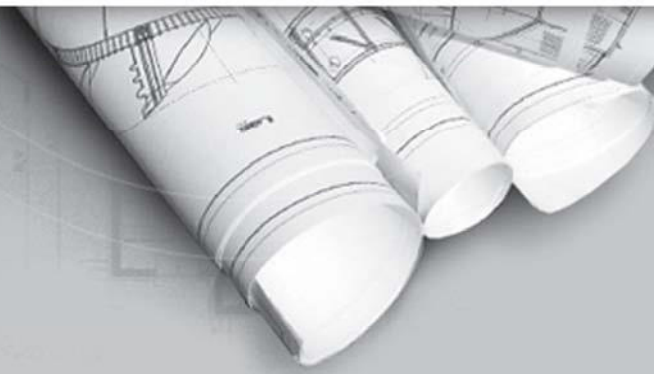
**CALL US
FOR A FREE,
NO OBLIGATION
QUOTE.**

Eproconn Inc.

33 Glen Cannon Dr., L8G 2Z6, Stoney Creek, ON
Tel: 905-363-2597; Fax: 905-901-2793

e-mail: info@eproconn.com www.eproconn.com





EPROCONN

Inc.

